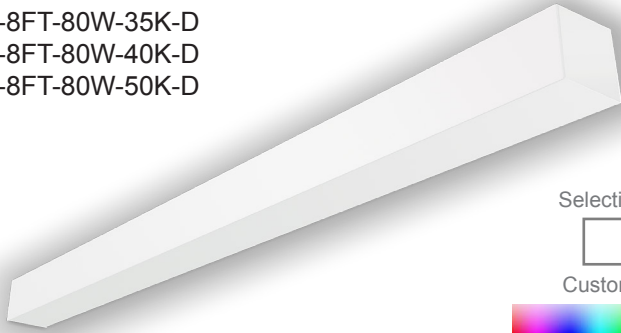


# SCX SERIES

Commercial Lighting

**WESTGATE**  
THE FUTURE IS HERE...AND IT'S QUITE BRIGHT!

SCX-8FT-80W-30K-D  
SCX-8FT-80W-35K-D  
SCX-8FT-80W-40K-D  
SCX-8FT-80W-50K-D



Selection:



Custom:



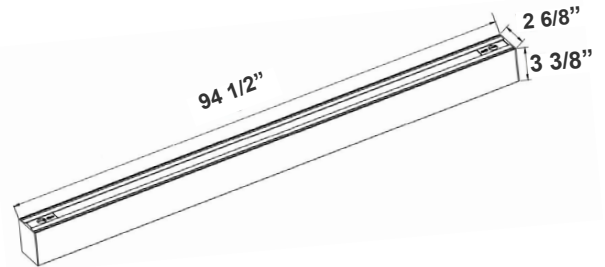
Linear Lighting can be customized to your desired length, look & color temperature can either be suspended, surface, mounted or recessed to suit your needs. Ideal for Storage rooms, Offices Conference rooms, Retail Reception areas, Hallways Education facilities, hotels, and restaurants.

Customer Name: \_\_\_\_\_

Project Name: \_\_\_\_\_

Note: \_\_\_\_\_

Type: \_\_\_\_\_



94 1/2"(L) x 2 6/8"(W) x 3 3/8"(H)

## Features

- LED Superior Architectural Lights
- Seamless Linkable Linear Lighting System
- Opal Polycarbonate Lens-Direct (DOWN) Lighting
- Optional Recessed & Wall Mounting Kits Available
- 50,000 Hours Rated Life
- 5-Year Warranty
- Lens Type: Opal Polycarbonate Lens

## Technical Specifications

### Electrical:

- Voltage: 120-277VAC 50/60Hz
- Wattage: 80W
- Power Factor: >0.95

### Mechanical:

- Low Profile Design
- Aluminum Housing With Matte White Finish
- Custom Colors Available
- Surge Protection
- Lens Snaps into Housing
- Shallow Depth Provides Sleek for Low-Profile Appearance
- Make Different Connections Via T/L/X Joints on Both Ends
- Mounting Options: Surface, Suspended, Wall, Recessed
- IP Rating: IP54
- Operating Temperature: -13°F~104°F

### Lighting:

- Dimmable: 0~10V Dimming
- Total Lumens: 8960LM/9200LM/9440LM/9680LM
- Color Temperature: 3000K/3500K/4000K /5000K
- Color Rendering Index: CRI ≥ 80
- Up Light Option Available
- Beam Angle: 104.8°(H) x 100.5°(V)

### Applications:

- Ideal for offices, hotels, corridors, saloons, libraries, meeting rooms, conference halls, and the best solution for modern lighting solutions
- It can be used in any indoor applications

### Other Models:

• 20W | 2240LM | SCX-2FT-20W-30K-D • 30W | 3360LM | SCX-3FT-30W-30K-D • 40W | 4480LM | SCX-4FT-40W-30K-D • 60W | 6720LM | SCX-6FT-60W-30K-D  
• 20W | 2300LM | SCX-2FT-20W-35K-D • 30W | 3450LM | SCX-3FT-30W-35K-D • 40W | 4600LM | SCX-4FT-40W-35K-D • 60W | 6900LM | SCX-6FT-60W-35K-D  
• 20W | 2360LM | SCX-2FT-20W-40K-D • 30W | 3540LM | SCX-3FT-30W-40K-D • 40W | 4720LM | SCX-4FT-40W-40K-D • 60W | 7080LM | SCX-6FT-60W-40K-D  
• 20W | 2420LM | SCX-2FT-20W-50K-D • 30W | 3630LM | SCX-3FT-30W-50K-D • 40W | 4840LM | SCX-4FT-40W-50K-D • 60W | 7260LM | SCX-6FT-60W-50K-D

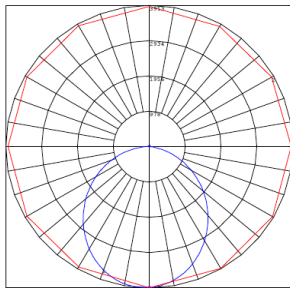
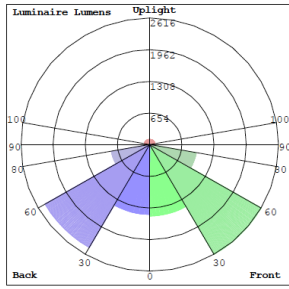


Phone: (877) 805-2252 | Fax: (877) 805-2252  
www.westgatemfg.com | www.westgatecontrols.co

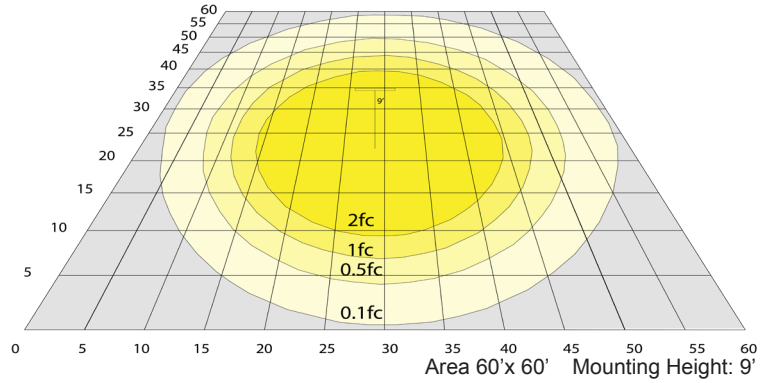


WG-Z5-ZB-2Z

## Photometrics: SCX-8FT



BUD Rating: B3-U3-G2



Area 60'x 60' Mounting Height: 9'

## Other Views:



Front View



Side View



Back View

## Performance Table: SCX-8FT

MODEL NO.	Wattage	Voltage	Lumens	Color Temp.	BUG Rating	LPW
SCX-8FT-80W-30K-D	80W	120~277V	8960LM	3000K	B3-U3-G2	112
SCX-8FT-80W-35K-D	80W	120~277V	9200LM	3500K	B3-U3-G2	115
SCX-8FT-80W-40K-D	80W	120~277V	9440LM	4000K	B3-U3-G2	118
SCX-8FT-80W-50K-D	80W	120~277V	9680LM	5000K	B3-U3-G2	121

## Sample Ordering

Model Wattage Color Temp.

SCX - 8FT - 80W - [ ] - D

30K = 3000K  
35K = 3500K  
40K = 4000K  
50K = 5000K

## Accessories:



Blank = No Option For Accessories  
**SCL-CS** = FOR UP TO 6FT FIXTURES Adjustable 6ft 1/16" Aircraft Cable Suspension Kit with Canopy for Ceiling or T-Bar  
**SCL-CS3** = FOR 8FT FIXTURES Adjustable 6ft 1/16" Aircraft Cable Suspension Kit with Canopy for Ceiling or T-Bar  
**SCL-6FT-SJTW18/5** = 6ft White Cord, SJTW 18 AWG 5-Conductor (Black, White, Green + Purple & Gray for 0-10V Dimming)  
**SCL-6FT-SJTW18/5-100FT** = 100ft Roll of White Cord, SJTW 18 AWG 5-Conductor (Black, White, Green + Purple & Gray for 0-10V Dimming)  
**SCL-6FT-SJTW18/5-100FT-BK** = 100ft Roll of Black Cord, SJTW 18 AWG 5-Conductor (Black, White, Green + Purple & Gray for 0-10V Dimming)  
**SCL-6FT-SJTW18/6-100FT** = 100ft Roll of Black Cord, SJTW 18 AWG 6-Conductor (Black, White, Green + Purple & Gray for 0-10V Dimming + Red for Backup Inverter)  
**SCL-AH** = Heavy-Duty Auxiliary Hook for Up To 1/16" Aircraft Cable  
**SCL-ASC-500FT** = 1/16" 500 ft. Steel Aircraft Cable Suspension  
**SCL-GS10** = ADJ. 10FT 1/16in Double Suspension Cable with Single Keyhole Conn., Loop Gripper on top  
**SCL-GS20** = ADJ. 20FT 1/16in Double Suspension Cable with Single Keyhole Conn., Loop Gripper on top

\* More Mounting Options Refer to page 4

## Factory-Installed Options:



Blank = No Option For Accessories  
**OPT-HBC-125BS-WH** = 10FT, 15A, 125V, 18/3 STR, WHT  
**OPT-FWH-63/65/66** = 6FT 3-WIRE WHIP/6FT 5-WIRE WHIP/ 6FT 6-WIRE WHIP  
 UP/DOWN LIGHT = See page 6

\* More Factory-Installed Options Refer to page 6

## SUSPENDED MOUNTING ACCESSORIES (NOT INCLUDED)



SCL-CS



SCL-CS3



SCL-6FT-SJTW18/5-100FT  
SCL-6FT-SJTW18/6-100FT



SCL-6FT-SJTW18/5-100FT-BK



SCL-ASC-500FT



SCL-AH



SCL-ASC-500FT



SCL-6FT-SJTW18/5



SCL-GS10



SCL-GS20



DOWN LIGHT



UP/ DOWN LIGHT



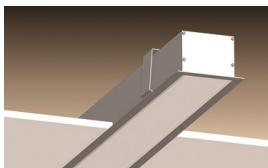
OPT-HBC-125BS-WH



OPT-FWH-63  
OPT-FWH-65  
OPT-FWH-66



# MOUNTING AND MODULES OPTION:



Recessed Mounted  
(Flanged)



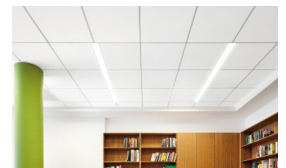
Surface Mounted



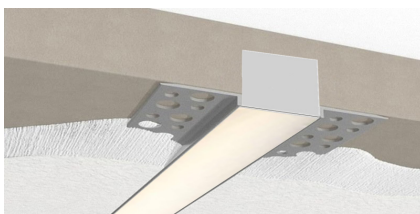
Wall Mounted



Suspended



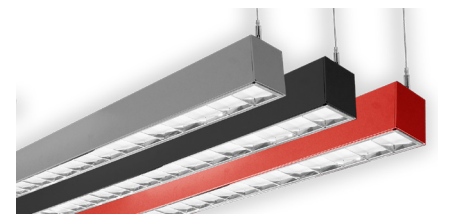
T-Bar Installation



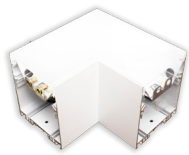
Flangless Recessed Mounted  
(Mud-In)



Louver Kit Option



Color of Your Choice



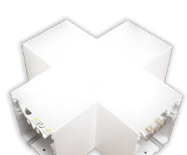
L Module  
(page 7)

SCX-L-30K  
SCX-L-35K  
SCX-L-40K  
SCX-L-50K



T Module  
(page 7)

SCX-T-30K  
SCX-T-35K  
SCX-T-40K  
SCX-T-50K



X Module  
(page 8)

SCX-X-30K  
SCX-X-35K  
SCX-X-40K  
SCX-X-50K



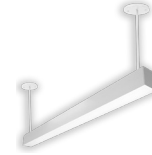
Inside Corner Module  
(page 8)

SCX-IC-30K  
SCX-IC-35K  
SCX-IC-40K  
SCX-IC-50K



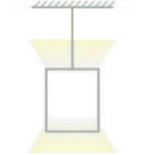
120° Corner Module  
(page 9)

SCX-C120-30K  
SCX-C120-35K  
SCX-C120-40K  
SCX-C120-50K



Suspension Rod Kit

SCL-RS-12 12"  
SCL-RS-18 18"  
SCL-RS-24 24"  
SCL-RS-36 36"  
SCL-RS-48 48"



Up Light Option

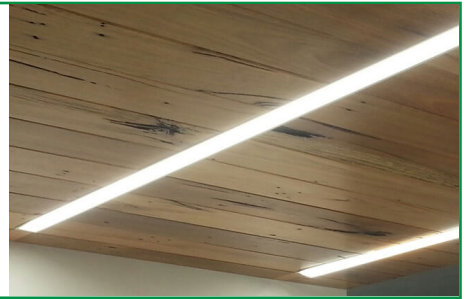
3000K  
3500K  
4000K  
5000K  
Blue  
Green



## MOUNTING OPTIONS:

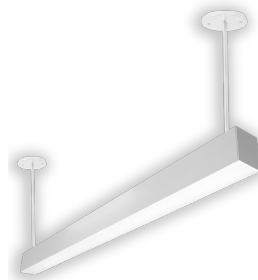
### FLANGLSS RECESSED INSTALLATION IN WOOD CEILING

No additional accessories required.  
 Make recessed preparations by installing a horizontal plank of wood on top of the wood ceiling at a recessed height of 3 3/8".  
 Screw and anchor kit provided with each fixture can be used to fasten the top of the fixture to the wood plank through the holes on top of the fixture.  
 You can also install vertical wood boards on top of the ceiling at the edge of the opening and open the fixture and put screws through the side of the fixture housing to fasten it to the wood boards.



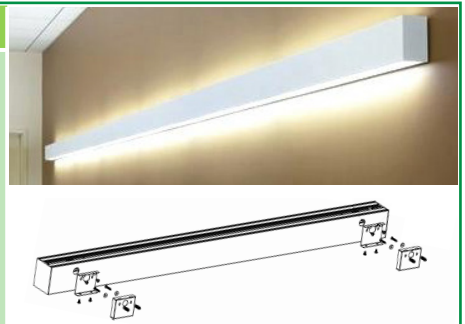
### SUSPENSION ROD KITS (SET OF 2)

Model	SIZE
SCL-RS-12	12 IN
SCL-RS-18	18 IN
SCL-RS-24	24 IN
SCL-RS-36	36 IN
SCL-RS-48	48 IN



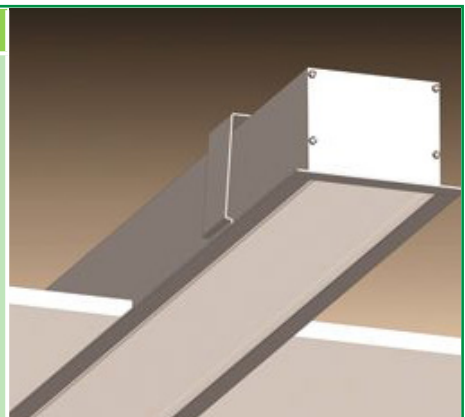
### WALL MOUNTING

Model	DESCRIPTION
OPT-SCX-WM-4FT	Install this optional wall mounting brackets on the back of the fixture. Connection cables will enter the fixture through one of these wall-mounting brackets. On your purchase order, please specify the position of where your wire entry from the wall.



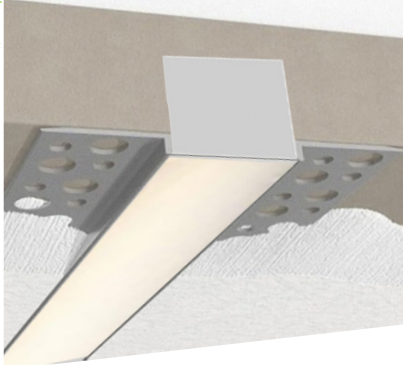
### RECESSED MOUNT WITH FLANGE

Model	DESCRIPTION
OPT-SCX-FMR-4FT	Order this option and the fixture will be equipped with a 1/2" wide flange on four sides. Advanced design toggle-style brackets will also be provided, to adjust and hold the fixture against drywall or other hard ceilings from the top. When linking to another fixture or corner module, call us or send a copy of your plan along with your PO, and flanges will be removed on those ends that need to make a seamless connection.








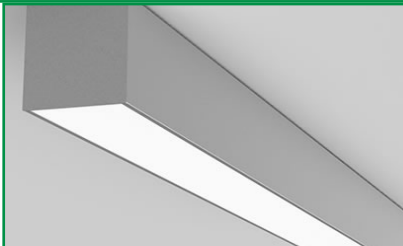
## FLANGELESS RECESS MOUNT IN DRYWALL (MUD-IN)

Model	DESCRIPTION	
OPT-SCX-MIF-4FT	Order this option and the fixture will be equipped with mud-in brackets on all four sides, mounted at 1/16" from the lens surface (specify if other spacing is needed). Advanced design toggle-style brackets will also be provided, to adjust and hold the fixture against the drywall ceiling from the top. When linking to another fixture or corner fixture module call us or send a copy of your plan along with your PO and flanges will be removed on those end that needs to make a seamless connection.	

## T-BAR INSTALLATION

Model	DESCRIPTION	
OPT-SCX-TBAR-4FT	Add this option and 1/2" wide flanges will be installed on the two long sides of the fixture. The two ends of the fixture will fall onto the T-bar grids and will be supported this way. The T-bar tiles on the two sides of the fixture must be cut to allow for the width of the fixture. The tile will fall onto and be supported by the flanges on both sides of the fixture. If you plan to support the fixture by the grids on three sides and tile on one side, call us or specify on your PO, and flange will be installed only on one side of the fixture. To provide safety and support from the beams above the T-bar ceiling order 10ft or 20ft aircraft suspension kits below.	
SCL-GS10	Adjustable 1/16" 10ft suspension kit with loop gripper & toggle ends hold up to 70 lbs load.	
SCL-GS20	Adjustable 1/16" 20ft suspension kit with loop gripper & toggle ends hold up to 70 lbs load.	

## SURFACE MOUNTING


No additional accessories required.	
Screw and anchor kit provided with each fixture can be used to fasten the fixture directly to the hard surface through the holes on top of the fixture.	



## FACTORY-INSTALLED OPTIONS:

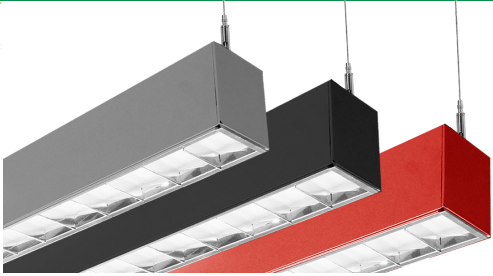
### LOUVER VERSION

Model	DESCRIPTION	LUMENS @ 4000K	SIZE
OPT-SCX-LUV-4FT	This Louver option includes lens inside.	4320LM	4FT




### COLOR OF YOUR CHOICE

Model	DESCRIPTION
OPT-SCX-CLR-4FT	Add this option and specify your desired color on your purchase order or provide a swatch to match. For painted flanged fixture or optional rod, mounting set please also add the relevant option below for each fixture.



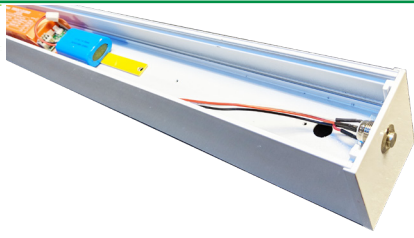
### INDIRECT (UP) LIGHTING

Model	WATTS	LUMENS	COLOR TEMP	SIZE
OPT-SCX-ULM-4FT-16W-30K	16W	1600LM	3000K	4FT
OPT-SCX-ULM-4FT-16W-35K	16W	1648LM	4000K	4FT
OPT-SCX-ULM-4FT-16W-40K	16W	1680LM	5000K	4FT
OPT-SCX-ULM-4FT-16W-50K	16W	1728LM	6000K	4FT



### EMERGENCY BATTERY BACKUP

Model	DESCRIPTION
OPT-EM-CM1INT	This is an option for a 90-minute backup battery installation. If you need to order this series for the fixture, please have your purchase order ready and call us or specify on the order which fixture to install this option and the test button.



### BI-LEVEL MOTION SENSOR

Model	DESCRIPTION
OPT-SCX-SEN2US	This option installs an advanced motion sensor that will turn the lights on when the area is occupied. When the area is cleared, after a preset hold time of 5 sec or more the lights are dimmed to a standby level of 30% or more. If still no motion is detected, after the standby period, the light is turned off. All setting is programmable with a remote control.
OPT-WEC-3RC	This is an optional remote control for sensor.

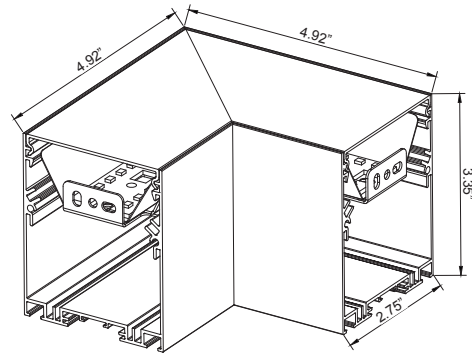
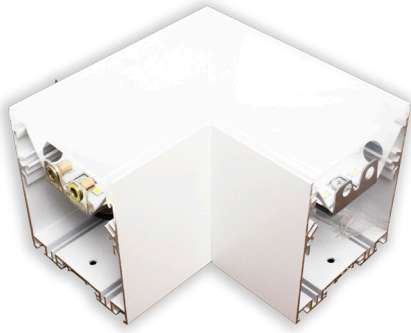
### LINKING

Model	DESCRIPTION
OPT-SCX-LINKWIRING	Fixtures are equipped with pre-installed linking brackets and accessories and only need to be wired together. to receive a fixture prewired for linking, order the option below for each link to another fixture or a corner module.

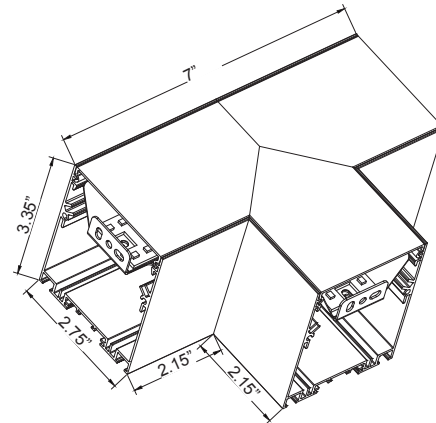


## CORNER FIXTURE MODULES:

### Built-in LED Modules

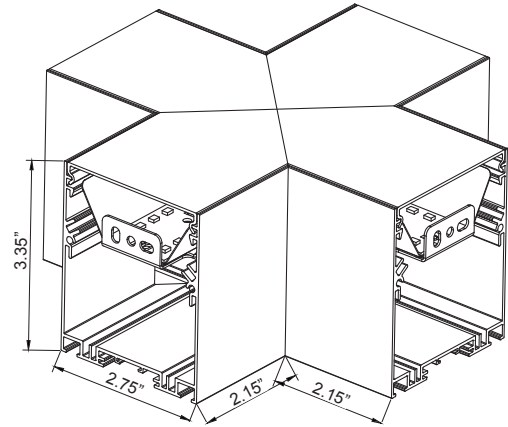


Model	JOINT TYPE	LUMENS	COLOR TEMP	DIMENSION
SCX-L-30K	L	508LM	3000K	4.92" X 4.92" X 3.35" X 2.75"
SCX-L-35K	L	575LM	3500K	4.92" X 4.92" X 3.35" X 2.75"
SCX-L-40K	L	616LM	4000K	4.92" X 4.92" X 3.35" X 2.75"
SCX-L-50K	L	660LM	5000K	4.92" X 4.92" X 3.35" X 2.75"

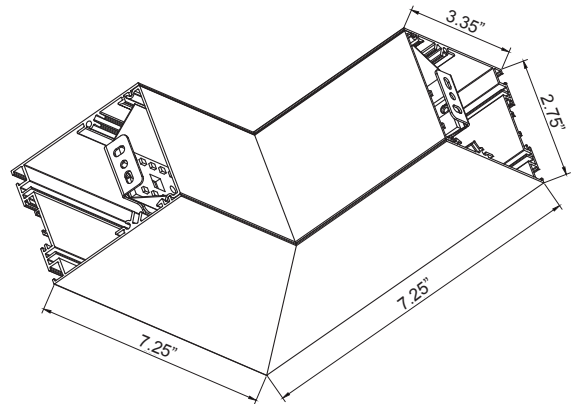
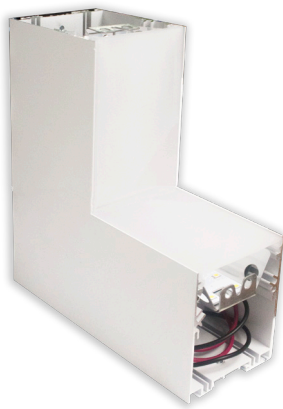


Model	JOINT TYPE	LUMENS	COLOR TEMP	DIMENSION
SCX-T-30K	T	629LM	3000K	7" X 3.35" X 2.75" X 2.15" X 2.15"
SCX-T-35K	T	726LM	3500K	7" X 3.35" X 2.75" X 2.15" X 2.15"
SCX-T-40K	T	787LM	4000K	7" X 3.35" X 2.75" X 2.15" X 2.15"
SCX-T-50K	T	854LM	5000K	7" X 3.35" X 2.75" X 2.15" X 2.15"





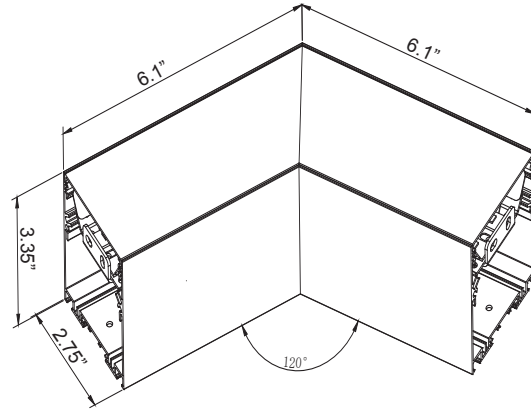
Model	JOINT TYPE	LUMENS	COLOR TEMP	DIMENSION
SCX-X-30K	X	733LM	3000K	3.35" X 2.75" X 2.15" X 2.15"
SCX-X-35K	X	863LM	3500K	3.35" X 2.75" X 2.15" X 2.15"
SCX-X-40K	X	944LM	4000K	3.35" X 2.75" X 2.15" X 2.15"
SCX-X-50K	X	1037LM	5000K	3.35" X 2.75" X 2.15" X 2.15"



Model	JOINT TYPE	LUMENS	COLOR TEMP	DIMENSION
SCX-IC-30K	INSIDE CORNER	629LM	3000K	7.25" X 7.25" X 3.35" X 2.75"
SCX-IC-35K	INSIDE CORNER	726LM	3500K	7.25" X 7.25" X 3.35" X 2.75"
SCX-IC-40K	INSIDE CORNER	787LM	4000K	7.25" X 7.25" X 3.35" X 2.75"
SCX-IC-50K	INSIDE CORNER	854LM	5000K	7.25" X 7.25" X 3.35" X 2.75"







Model	JOINT TYPE	LUMENS	COLOR TEMP	DIMENSION
SCX-C120-30K	120° CORNER	508LM	3000K	6.1" X 6.1" X 3.35" X 2.75"
SCX-C120-35K	120° CORNER	575LM	3500K	6.1" X 6.1" X 3.35" X 2.75"
SCX-C120-40K	120° CORNER	616LM	4000K	6.1" X 6.1" X 3.35" X 2.75"
SCX-C120-50K	120° CORNER	660LM	5000K	6.1" X 6.1" X 3.35" X 2.75"

### Example:

1. SCX-8FT-80W-40K-D
2. SCX-8FT-80W-40K-D  
SCL-CS  
OPT-HBC-125BS-WH

(For SCX 80W 4000K fixture 120-277V)  
 (For SCX 80W 4000K fixture 120-277V)  
 (Adjustable 6ft 1/16" Aircraft Cable Suspension Kit with Canopy for Ceiling or T-Bar)  
 (10FT, 15A, 125V, 18/3 STR, WHT)

